

190-032-101 42" 2-Stage Snow Thrower (2008)
Chute Assembly

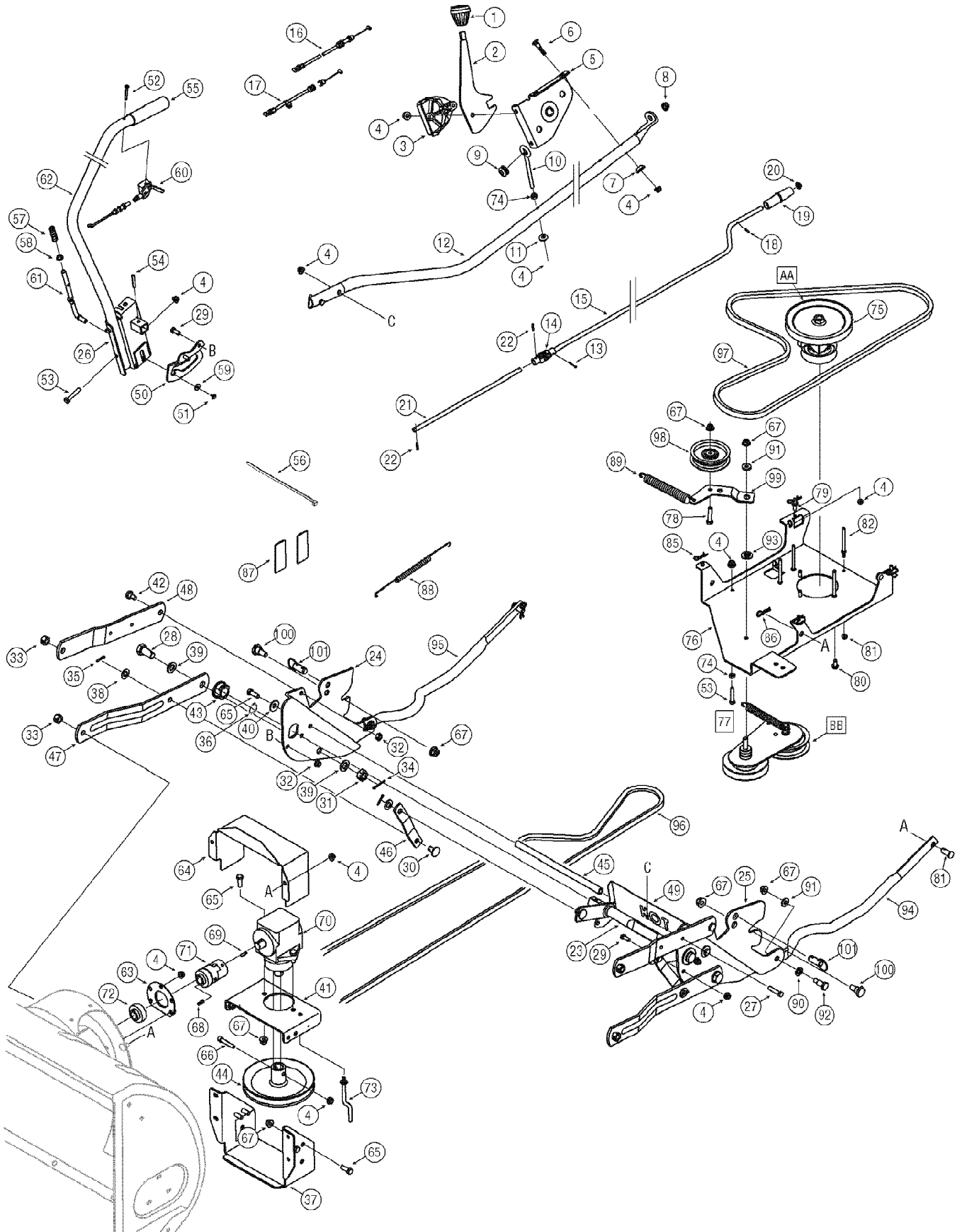
Page 2 of 8

Ref #	Part Number	Qty	S/P/F	Description
1	618-04315	1	S	Auger Gear Box (Incl. Ref. 23-41)
2	684-0158	1	S	Impeller Assembly, 12"
3	684-0148	1		Housing Assembly
4	703-2734	1		Housing Brace Bracket
5	684-04163	1		LH Spiral Auger
6	684-04164	1		RH Spiral Auger
7	710-0157	1	/P	Hex Cap Screw, 5/16-24 x .75
8	710-0260A	1	/P	Carriage Bolt, 5/16-18 x .62
9	710-0276	1	/P	Splined Carriage Screw
10	710-0726	1	/P	Self Tapping Screw
11	714-04040	1		Bow-Tie Cotter Pin
12	712-3010	1	S	Hex Nut, 5/16-18
13	712-3057	1	S	Hex Nut, 5/16-24
14	715-0114	1	S	Spirol Pin, 1/4 x 1-1/2
15	736-0231	1	S	Flat Washer, .344 x 1.125 x .12
16	736-0242	1	/P	Bell Washer, .340 x .872
17	741-0245	1	S	Hex Flange Bearing, .75 ID
18	741-0493A	1	/P	Flange Bushing, .80 x .91
19	784-0396A	1	S	Skid Plate Bracket, 42"
20	784-5038B	1	S	Slide Shoe
21	711-0469	1		Spacer, .75 x .125 x .5
22	784-5618	1	S	Hex Bearing Housing, 1.0
23	618-0123A	1	S	RH Reducer Housing
24	618-0124A	1	S	LH Reducer Housing
25	703-2733A	1		Housing Brace Plate
26	710-0642	1	/P	Self Tapping Screw, 1/4-20 x .75
27	711-04468	1		Spiral Axle, 41.5"
28	714-0161	1	S	Hi-Pro Key, 3/16 x 5/8
29	715-0143	1	S	Spring Spirol Pin, .25 x 1.25
30	717-0528A	1	S	Worm Gear, 20-tooth
31	717-3320	1		Worm Shaft
32	718-0513	1		Thrust Collar
33	721-0325	1		Grease Plug
34	721-0327	1		Grease Seal
35	736-0351	1	S	Flat Washer, .76 x 1.5 x .030
36	736-0369	1	S	Flat Washer, .508 x 1.0 x .020
37	736-0617	1	/P	Thrust Washer, .75 x 1.25 x .0615
38	741-0150	1	S	Thrust Bearing, .75 x 1.25 x .078
39	748-0108	1	S	Flange Bearing, .503 x .75
40	741-0700	1		Flange Bearing, .75 x 1.0 x .59
41	721-0179	1	S	Grease Seal
42	684-0061	1	S	Chute Crank Assembly
43	703-2735A	1		Chute Crank Bracket
44	705-5226	1		Chute Reinforcer
45	710-0276	1	/P	Splined Carriage Screw
46	710-0262	1	/P	Carriage Bolt, 5/16-18 x 1.5
47	710-04071	1		Carriage Screw, 5/16-18 x 1.0
48	710-0703	1	/P	Screw, 1/4-20 x .75
49	710-0896	1	/P	Hex Index Washer Screw
50	710-3015	1	/P	Hex Cap Screw, 1/4-20 x .75
51	712-04064	1	/P	Nylon Hex Lock Nut, 1/4-20
52	712-04063	1	/P	Nylon Hex Lock Nut, 5/16-18
53	715-0129	1		Spirol Pin, .25 x .82

190-032-101 42" 2-Stage Snow Thrower (2008)
Chute Assembly

Page 3 of 8

Ref #	Part Number	Qty	S/P/F	Description
54	731-0851A	1	/P	Chute Flange Keeper
55	731-1300B	1	S	Lower Chute
56	731-1320	1	S	Upper Chute
57	731-1379C	1	S	Adapter Chute
58	731-1313C	1	/P	Chute Tilt Cable Guide
59	741-0475	1	S	Plastic Bushing
60	784-5149	1	S	Joint Block Assembly
61	784-5594	1		Cable Bracket
62	784-5647	1	S	Chute Crank Bracket
63	712-3004A	1	/P	Flange Lock Nut, 5/16-18
64	731-04870	1		Spacer 1.25 x .75 x 1.00
65	731-1086A	1	/P	Sleeve .758 x 1.00 x 2.70
66	738-04124	1	S	Shear Pin, .25 x 1.50

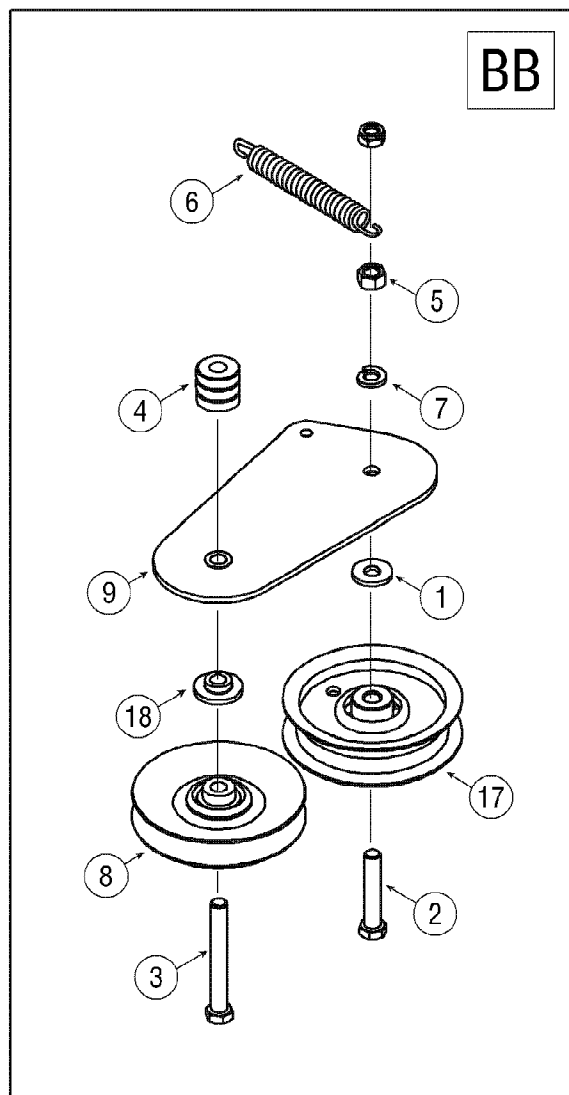
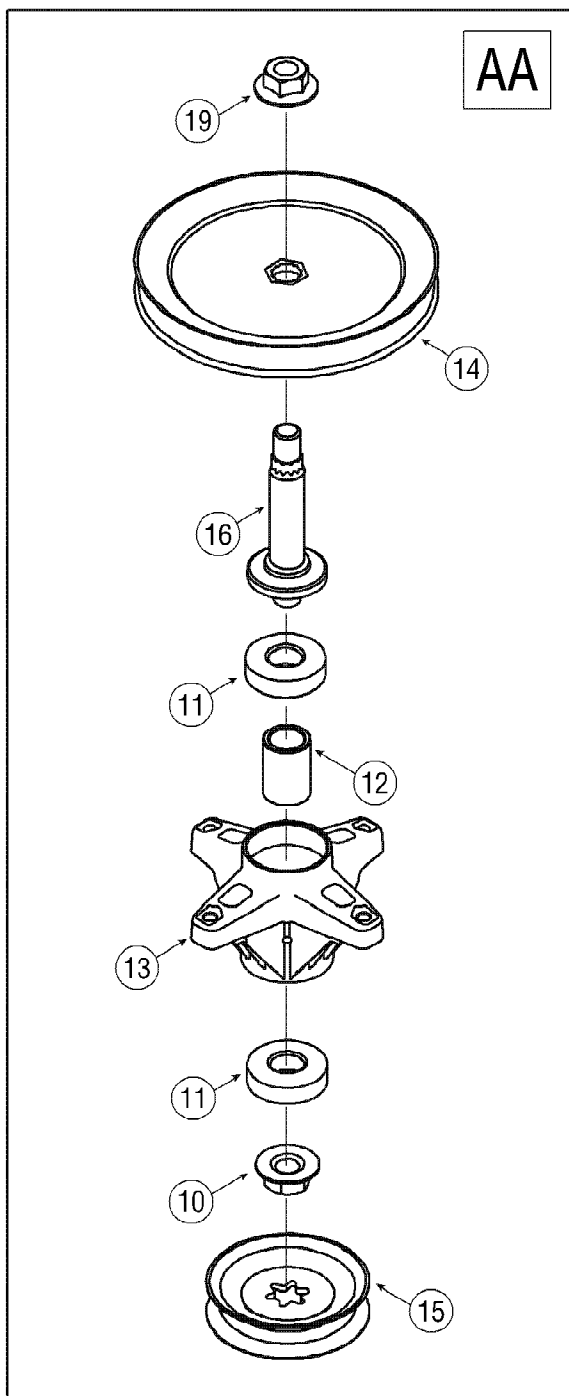


190-032-101 42" 2-Stage Snow Thrower (2008)
Drive & Handle Assembly

Page 5 of 8

Ref #	Part Number	Qty	S/P/F	Description
1	720-04039	1		Knob
2	784-5604A	1	S	Chute Tilt Handle
3	731-1313C	1	/P	Chute Tilt Cable Guide
4	712-04063	1	/P	Nylon Hex Lock Nut, 5/16-18
5	603-0302	1	S	Chute Tilt Bracket Assembly
6	710-0262	1	/P	Carriage Bolt, 5/16-18 x 1.5
7	736-0451	1	S	Saddle Washer, .32 x .93
8	741-0475	1	S	Plastic Bushing
9	735-0234	1		Rubber Grommet, .44 x .94 x .5
10	747-0697	1	/P	Eye Bolt
11	736-0242	1	/P	Bell Washer, .340 x .872
12	750-04467	1		Support Chute Tube
13	714-0507	1	S	Cotter Pin, 3/32 x .75
14	784-5149	1	S	Joint Block Assembly
15	747-1201	1	S	Chute Crank Rod, .375 x 33
16	746-1108	1		Chute Cable, 62"
17	746-1109	1		Chute Cable w/Clip, 62"
18	715-0138	1	S	Rolled Pin, 1/8 x .63
19	720-0201A	1	/P	Crank Knob
20	726-0100	1	S	Push Cap, 3/8 ID
21	747-04400	1		Rod, .375 x 11.375
22	715-0129	1		Spirol Pin, .125 x .82
23	611-0132A	1	S	Rod Assembly
24	783-0880C	1		RH - Support Plate Assembly
25	783-0879C	1		LH - Support Plate Assembly
26	683-04150	1		Lift Bracket Assembly
27	710-0805	1	/P	Hex Cap Screw, 5/16-18 x 1.50
28	710-0964A	1		Hex Cap Screw, 5/8-18 x 1.31
29	710-3008	1	/P	Hex Cap Screw, 5/16-18 x .75
30	711-0332	1	S	Clevis Pin, .5 x .78
31	712-0386A	1	/P	Slotted Hex Nut, 5/8-18
32	712-3000	1	S	Hex Lock Nut, 3/8-16
33	712-3022	1	/P	Hex Lock Nut, 1/2-13
34	714-0470	1	S	Cotter Pin, 1/8 x 1.25
35	714-0474	1	S	Cotter Pin, .125 x .75
36	716-0102	1	S	Snap Ring
37	784-0402	1	S	Skid Plate
38	736-0272	1	S	Flat Washer, .51 x 1.0 x .060
39	736-0366	1	/P	Flat Washer, .64 x 1.12 x .125
40	736-0452	1	S	Bell Washer, .396 x 1.14 x .095
41	783-1014A	1	S	Drive Mounting Bracket
42	738-0234	1		Shoulder Screw, .5 x .29, 3/8-16
43	741-0170	1	S	Flange Bearing w/ Flats
44	756-1181A	1	/P	Drive Pulley, 7"
45	747-1192	1		Rod, 1/2 x 11.55
46	783-0876	1		Link, 5.875
47	783-0877	1	S	Link, 15.4
48	783-0878	1	S	Link, 13.35
49	783-1274B	1	/P	Heat Shield
50	790-00110	1		Snow Thrower Lift Bracket
51	710-1268	1	/P	Hex Index Washer Screw #10-16
52	710-3143	1	/P	Pan Phillips Screw, #10-24 x .75
53	710-3180	1	/P	Pan Phillips Screw, 5/16-18 x 1.75

Ref #	Part Number	Qty	S/P/F	Description
54	715-0114	1	S	Heavy Duty Spirol Pin, 1/4 x 1.5
55	720-0274	1	/P	Handle Grip
56	725-0157	1	/P	Cable Tie
57	732-0306	1	S	Compression Spring
58	736-0140	1	S	Flat Washer, .385 x .62 x .063
59	736-0400	1	S	Flat Washer, .194 x .62 x .063
60	746-1103A	1	S	Lift Cable, 42" w. Trigger Control
61	747-1203	1		Lift Index Rod
62	750-1221	1		Lift Handle Tube
63	05931A	1	/P	Bearing Housing, 1.85 ID
64	703-2736	1		Belt Cover
65	710-0514	1	/P	Hex Cap Screw, 3/8-16 x 1.0
66	710-3251	1	/P	Socket Head Cap Screw
67	712-04065	1	/P	Flange Lock Nut, 3/8-16
68	714-0122	1	S	Square Key, 3/16 x .75
69	714-0126	1	S	Hi-Pro Key, 3/16 x .75
70	717-1714A	1	S	Right Angle Drive
71	718-0691	1	S	Coupling
72	741-0309	1	S	Flange Ball Bearing, .75 x 1.85
73	747-1257	1		Belt Keeper Rod
74	712-3010	1	S	Flange Nut, 5/16
75	618-0411	1	S	Spindle Assembly
76	683-04210	1	S	Pulley Mounting Bracket
77	684-0149	1		Double Idler Bracket Assembly
78	710-0347	1	/P	Hex Cap Screw, 3/8-16 x 1.75
79	710-04511	1		Pin, 5/16-18
80	710-1260A	1	/P	Carriage Bolt, 5/16-18 x .75
81	711-0310	1	S	Clevis Pin, .5 x 1.18
82	711-1000	1	S	Belt Keeper Pin
83	712-04064	1	/P	Nylon Hex Lock Nut, 1/4-20
84	712-04100	1		Wing Nut 5/16-18
85	714-0145	1	S	Click Pin, .092 x 1.64
86	714-0147	1		Internal Cotter Pin, .125 x 1.75
87	730-3000	1	S	Reflector
88	732-04237	1		Extension Spring, .50 x 12.00
89	732-0594A	1	S	Extension Spring, .91 x 7.33
90	736-0192	1	S	Flat Washer.531 x .93 x .09
91	736-3072	1	/P	Flat Washer, .38 x .93 x .11
92	738-0145	1	S	Shoulder Screw, 3/8-16
93	738-0347	1	S	Shoulder Spacer, .625 x .169
94	749-1103	1	S	LH - Support Tube
95	749-1104	1	S	RH - Support Tube
96	754-0125A	1	S	V-Belt
97	754-0498	1	S	V-Belt
98	756-0627D	1	/P	Idler Pulley 3.50 Dia
99	783-1291	1	S	Idler Bracket
100	738-0143	1	/P	Shoulder Bolt
101	714-04061	1		Quick Release Pin
101	711-0332	1	S	Clevis Pin, not shown Use with 714-0145 Click Pin



190-032-101 42" 2-Stage Snow Thrower (2008)
Spindle Assembly

Page 8 of 8

Ref #	Part Number	Qty	S/P/F	Description
1	736-3072	1	/P	Flat Washer, .38 x .93 x .11
2	710-0151	1	/P	Hex Cap Screw, 3/8-24 x 2
3	710-0521	1	/P	Hex Cap Screw, 3/8-16 x 3
4	711-0242	1	S	Spacer
5	712-0241	1	/P	Hex Nut, 3/8-24
6	732-0978	1		Extension Spring, .620 x 5.62
7	736-0169	1	S	Lock Washer, 3/8
8	756-0487	1	/P	Idler pulley, 4" Diameter
9	784-5727	1	S	Idler Pivot Arm
10	712-0417	1	S	Flange Nut 5/8-18
11	741-0919	1	S	Ball Bearing
12	750-1096	1		Spacer
13	619-0044	1	S	Deck Spindle Housing
14	756-0999	1		Deck Pulley 7"
15	756-1173	1		Pulley 3.75"
16	738-0976	1		Spindle Shaft
17	756-0627D	1	/P	Idler Pulley 3.50 dia.
18	738-0347	1	S	Shoulder Spacer, .625 x .169
19	712-0417	1	S	Flange Nut 5/8-18